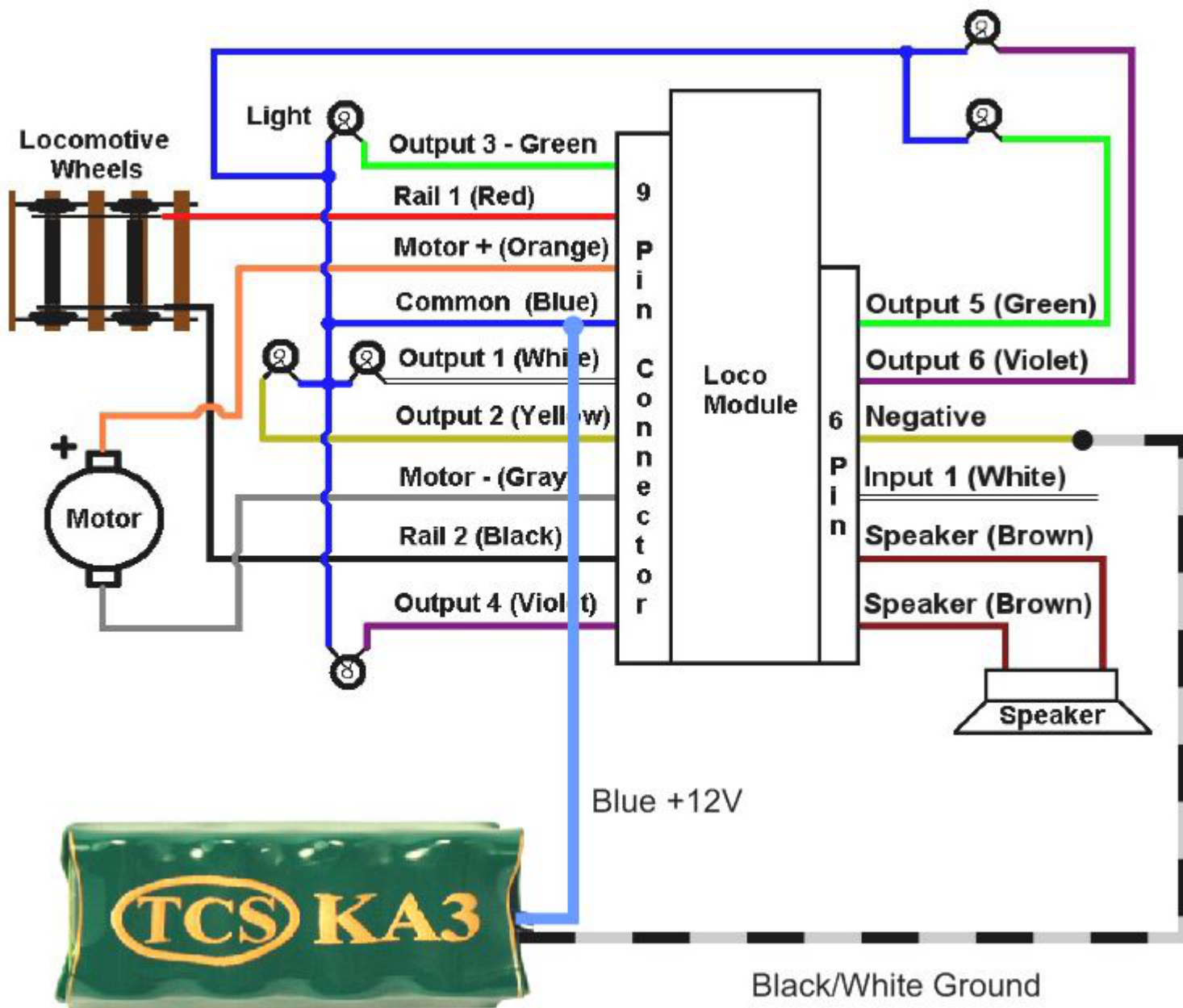


# WIRING DIAGRAM for adding TCS KEEP-ALIVE's to RailPro LM-3 or LM-3S equipped locomotives

(Warning: install Keep-Alive products at your own risk)



**Module 9 Pin Blue (Common Wire)  
to KA3/4 Blue +12v Wire**

**Module 6 Pin Yellow (Negative Wire)  
to KA3/4 Black/White Ground Wire**